



REFRIGERATION

SERVING THE FOOD INDUSTRY SINCE 1951

WHITE GELATO DISPLAY SHOWCASES

Item: 47571 / 47498 / 47572

Model: FR-CN-0007W / FR-CN-0010W / FR-CN-0013W



10 Pans



13 Pans



7 Pans

**SERVE AND DISPLAY MOUTHWATERING
ICE CREAM, GELATO, AND SORBETS**

STANDARD FEATURES

- White Exterior
- Internal LED on top
- Digital controller
- Dual LED temp. displays inside and at back
- Sliding doors at back
- Front curved glass
- 4 casters, 2 with brakes
- Ventilating cooling system
- Automatic defrost



WARRANTY
PARTS AND LABOR



NEMA
5 - 15
125 VAC / 15 AMP
RECEPTACLE



Authorized Dealer

TECHNICAL SPECIFICATIONS

Item Number	47571	Adjustable Shelf	No
Model	FR-CN-0007W	Temperature Controller	Digital Control
Color	White	Temperature Display	LED Display
Pan Quantity	7 x 5L Ice-Cream Pan	Defrost	Autodefrost With Heating Element
Ice-Cream Pan Dimensions	1 x Small Scoop Pan	Tray Heater (W)	No
Scoop Pan Dimensions	14.2" x 6.5" x 4.5" / 360 x 165 x 115mm	Type Of Light:	LED
Temperature Range	6.5" x 7.6" x 2.4" / 165 x 149 x 60mm	Lock	No
Power Supply	-12° to -22°C	Door Type	Sliding Doors At Back
Running Amps	110v - 120v / 60hz	Climate Class	4
Power Input (W)	11.8	Dimensions	41.3" x 33.5" x 51.2" / 1050 x 850 x 1300mm
Refrigerant Type	1300 W	Weight	306.4 lbs. / 139 kgs.
Cooling System:	R290 (140g)	Gross Dimensions	44.5" x 37.8" x 57.5" / 1130 x 960 x 1460mm
Space Requirement	Ventilated	Gross Weight	423.3 lbs. / 192 kgs.
	1.6 m ²	Certifications	cETLus, ETL Sanitations

PRODUCT DETAILS



Comes with 5L Ice Cream Pans

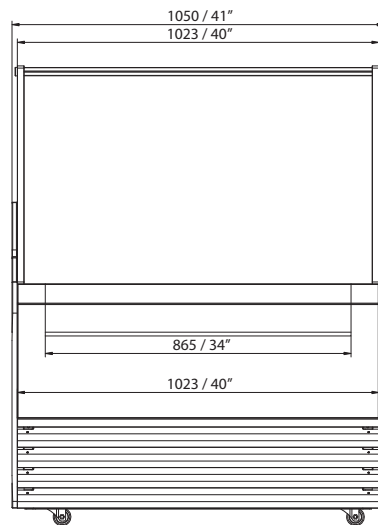


LED Display

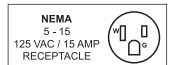
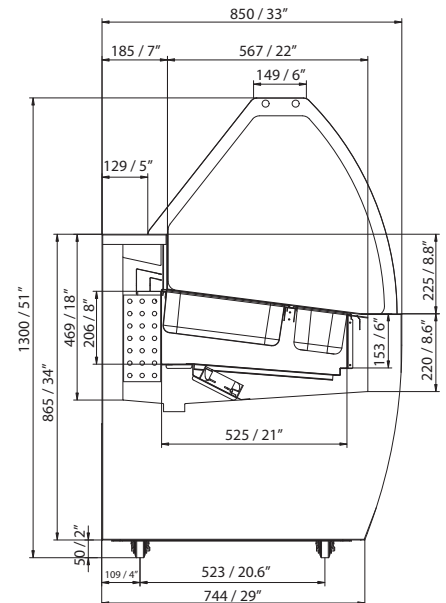


Efficient sliding door at the back for easy access

ITEM: 47571
UOM: mm / inches



TECHNICAL DRAWINGS AND DIMENSIONS



OMCAN INC.

Telephone: 1-800-465-0234

Fax: (905) 607-0234

Email: sales@omcan.com

Website: www.omcan.com



Follow us to keep up to date with the latest news and offers



TECHNICAL SPECIFICATIONS

Item Number	47498	Adjustable Shelf	No
Model	FR-CN-0010W	Temperature Controller	Digital Control
Color	White	Temperature Display	LED Display
Pan Quantity	10 x 5L Ice-Cream Pan	Defrost	Autodefrost With Heating Element
Ice-Cream Pan Dimensions	1 x Small Scoop Pan 14.2" x 6.5" x 4.5" / 360 x 165 x 115mm	Tray Heater (W)	No
Scoop Pan Dimensions	6.5" x 7.6" x 2.4" / 165 x 149 x 60mm	Type Of Light:	LED
Temperature Range	-12° to -22°C	Lock	No
Power Supply	110v - 120v / 60hz	Door Type	Sliding Doors At Back
Running Amps	13.6A	Climate Class	4
Power Input (W)	1500 W	Dimensions	55.4" x 33.5" x 51.2" 1408 x 850 x 1300mm
Refrigerant Type	R290 (160g)	Weight	372.6 lbs. / 169 kgs.
Cooling System:	Ventilated	Gross Dimensions	58.5" x 37.8" x 57.5" 1486 x 960 x 1460mm
Space Requirement	2.1 m ²	Gross Weight	504.9 lbs. / 229 kgs.
		Certifications	cETLus, ETL Sanitations

PRODUCT DETAILS



Comes with 5L Ice Cream Pans

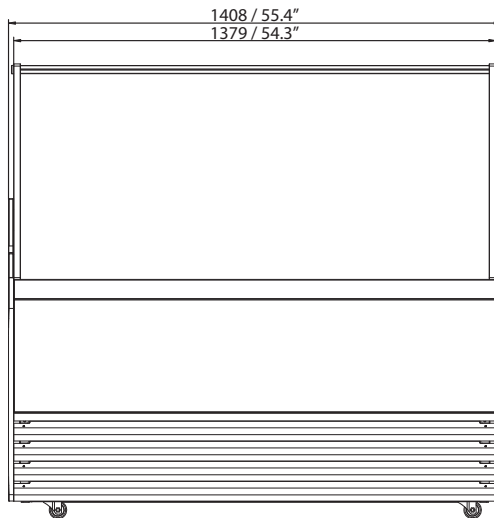


LED Display

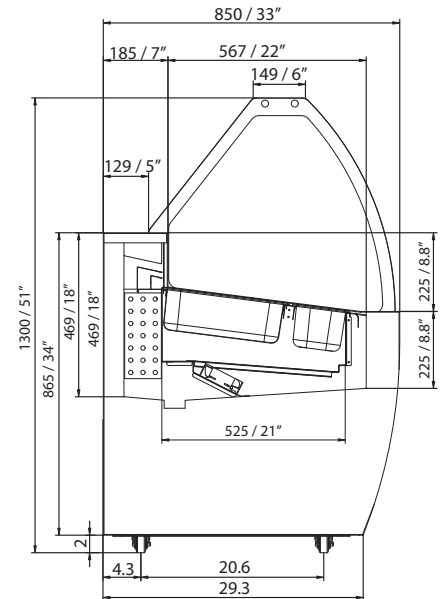


Efficient sliding door at the back for easy access

ITEM: 47498
UOM: mm / inches



TECHNICAL DRAWINGS AND DIMENSIONS



OMCAN INC.

Telephone: 1-800-465-0234
Fax: (905) 607-0234
Email: sales@omcan.com
Website: www.omcan.com



Follow us to keep up to date with the latest news and offers



TECHNICAL SPECIFICATIONS

Item Number	47572	Adjustable Shelf	No
Model	FR-CN-0013W	Temperature Controller	Digital Control
Color	White	Temperature Display	LED Display
Pan Quantity	13 x 5L Ice-Cream Pan	Defrost	Autodefrost With Heating Element
Ice-Cream Pan Dimensions	1 x Small Scoop Pan 14.2" x 6.5" x 4.5" / 360 x 165 x 115mm	Tray Heater (W)	No
Scoop Pan Dimensions	6.5" x 7.6" x 2.4" / 165 x 149 x 60mm	Type Of Light:	LED
Temperature Range	-12° to -22°C	Lock	No
Power Supply	110v - 120v / 60hz	Door Type	Sliding Doors At Back
Running Amps	13.6A	Climate Class	4
Power Input (W)	1500 W	Dimensions	69.4" x 33.5" x 51.2" 1764 x 850 x 1300mm
Refrigerant Type	R290 (170g)	Weight	434.3 lbs. / 197 kgs.
Cooling System:	Ventilated	Gross Dimensions	72.5" x 37.8" x 57.5" 1842 x 960 x 1460mm
Space Requirement	2.6 m ²	Gross Weight	582 lbs. / 264 kgs.
		Certifications	cETLus, ETL Sanitations

PRODUCT DETAILS



Comes with 5L Ice Cream Pans

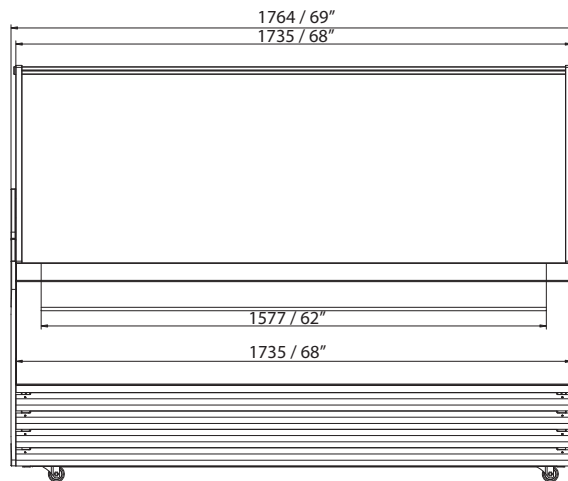


LED Display

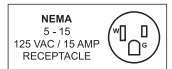
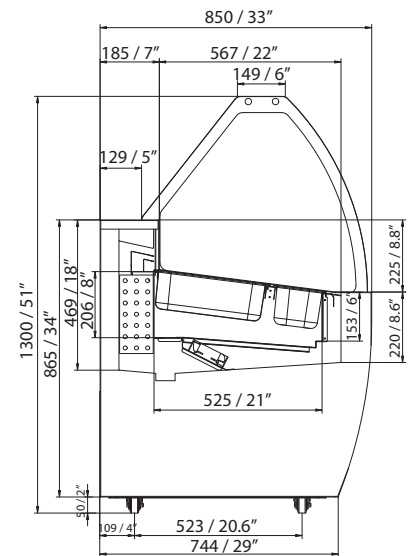


Efficient sliding door at the back for easy access

ITEM: 47572
UOM: mm / inches



TECHNICAL DRAWINGS AND DIMENSIONS



OMCAN INC.

Telephone: 1-800-465-0234

Fax: (905) 607-0234

Email: sales@omcan.com

Website: www.omcan.com



Follow us to keep up to date with the latest news and offers



TECHNICAL SPECIFICATIONS

Item Number	47571	47498	47572
Model	FR-CN-0007	FR-CN-0010W	FR-CN-0013W
Color	White	White	White
Pan Quantity	7 x 5L Ice-Cream Pan	10 x 5L Ice-Cream Pan	13 x 5L Ice-Cream Pan
	1 x Small Scoop Pan	1 x Small Scoop Pan	1 x Small Scoop Pan
Ice-Cream Pan Dimensions	14.2" x 6.5" x 4.5" / 360 x 165 x 115mm	14.2" x 6.5" x 4.5" / 360 x 165 x 115mm	14.2" x 6.5" x 4.5" / 360 x 165 x 115mm
Scoop Pan Dimensions	6.5" x 7.6" x 2.4" / 165 x 149 x 60mm	6.5" x 7.6" x 2.4" / 165 x 149 x 60mm	6.5" x 7.6" x 2.4" / 165 x 149 x 60mm
Temperature Range	-12° to -22°C	-12° to -22°C	-12° to -22°C
Power Supply (V) / Hz	110v / 60hz	110v / 60hz	110v / 60hz
Running Amps	11.8	13.6A	13.6A
Power Input (W)	1300 W	1500 W	1500 W
Refrigerant Type	R290 (140g)	R290 (160g)	R290 (170g)
Cooling System:	Ventilated	Ventilated	Ventilated
Temperature Controller	Digital Control	Digital Control	Digital Control
Temperature Display	LED Display	LED Display	LED Display
Defrost	Autodefrost With Heating Element	Autodefrost With Heating Element	Autodefrost With Heating Element
Tray Heater (W)	No	No	No
Type Of Light:	LED	LED	LED
Lock	No	No	No
Door Type	Sliding Doors At Back	Sliding Doors At Back	Sliding Doors At Back
Climate Class	4	4	4
Dimensions	41.3" x 33.5" x 51.2" / 1050 x 850 x 1300mm	55.4" x 33.5" x 51.2" / 1408 x 850 x 1300mm	69.4" x 33.5" x 51.2" / 1764 x 850 x 1300mm
Weight	306.4 lbs. / 139 kgs.	372.6 lbs. / 169 kgs.	434.3 lbs. / 197 kgs.
Gross Dimensions	44.5" x 37.8" x 57.5" / 1130 x 960 x 1460mm	58.5" x 37.8" x 57.5" / 1486 x 960 x 1460mm	72.5" x 37.8" x 57.5" / 1842 x 960 x 1460mm
Gross Weight	423.3 lbs. / 192 kgs.	504.9 lbs. / 229 kgs.	582 lbs. / 264 kgs.
Certifications	cETLus, ETL Sanitations	cETLus, ETL Sanitations	cETLus, ETL Sanitations